

Flashing the Stayton and Stargate Board with JTAG

Ed C. Epp
7-14-03
Version 0.02

Introduction

This document outlines how to flash the boot loader onto a Stayton and Stargate board.

Requirements

We assume the following:

- Window XP (instructions for other Windows systems can be found on the site listed below.
http://www.intel.com/design/pca/applicationsprocessors/swsup/RelNote_JFlashmm_V5_01_003.htm
- JTAG Cable Model IJC-2 www.memecdesign.com or www.insight-electronics.com
- Flash memory programmer site
<http://www.intel.com/design/pca/applicationsprocessors/swsup/jflashmm.htm>

Setting Up Windows XP with JFlashMM

- Download “5.01.003” from the jflashmm site listed above.
- By default executing the *.exe will load the jflash program into C:\Program Files\Intel Corporation\JFlash_MM
- Copy the “GIVEIO.SYS” file from the Jflash_MM directory to C:\WINDOWS\system32\drivers
(Exact path may vary)
- From the Control Panel run “Add Hardware” and select <Next>
- Select
”Yes I have already connected the hardware”
and select <Next>

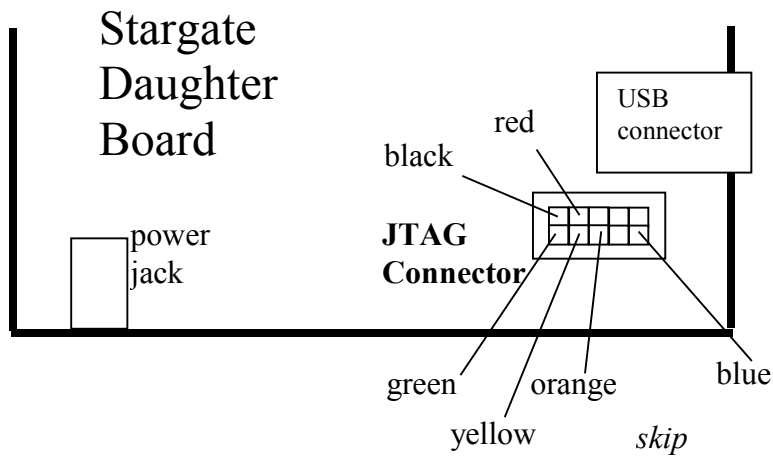
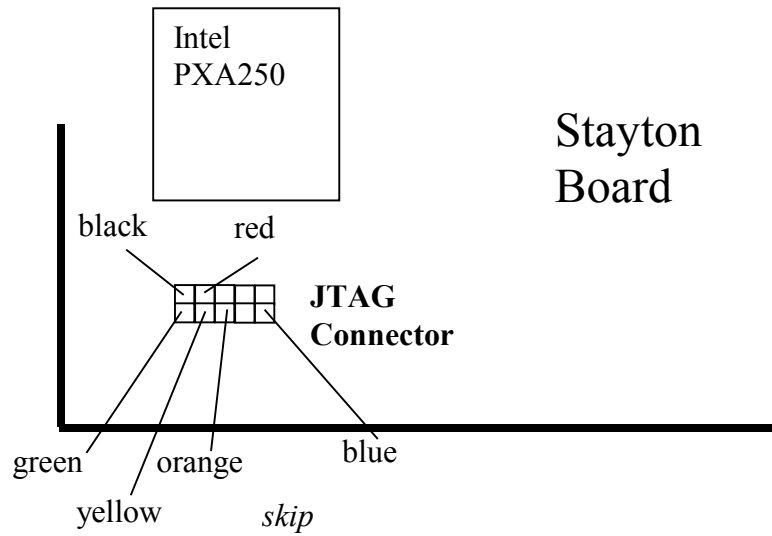
- At the end of the scroll list select "Add a new hardware device" and select <Next>
- Select "Install the hardware that is manually selected from a list" and select <Next>
- From the scroll list select "Ports (COM & LPT)" and select <Next>
- Select the <Have disk> button
- Browse to C:\Program Files\Intel Corporation\JFlash_MM\give.inf and select <OK>
- Select <Next>, etc., etc., etc.

- Download "DBPXA250" from the same site listed above
- Unzip and copy *.dat files into C:\Program Files\Intel Corporation\JFlash_MM

- Copy "bootldr" into C:\Program Files\Intel Corporation\JFlash_MM

Flashing the Board

- Connect the JTAG connector to the XP machine's parallel port
- Connect the other end to the board (see diagram below)



- Execute the following command from a DOS Prompt from within the JFlash directory
 - For 1.1 and 1.2 Staytons (blue and red boards) and Stargates


```
C:\Program Files\Intel Corporation\JFlash_MM
jflashmm dbpxa250_C bootldr
```
 - For 1.0 Staytons (green boards)


```
C:\Program Files\Intel Corporation\JFlash_MM
jflashmm dbpxa250 bootldr
```

Possible Issues

- Parallel port is not enabled on the XP machine

Fix - enable in the BIOS or under the hardware options of XP.